

REAR
VIEW

4'-2"

3'-9"

P. SEC.
VIEW

8"

1'-2"

8"

LEFT
VIEW

3'-0"

2'-6"

RIGHT
VIEW

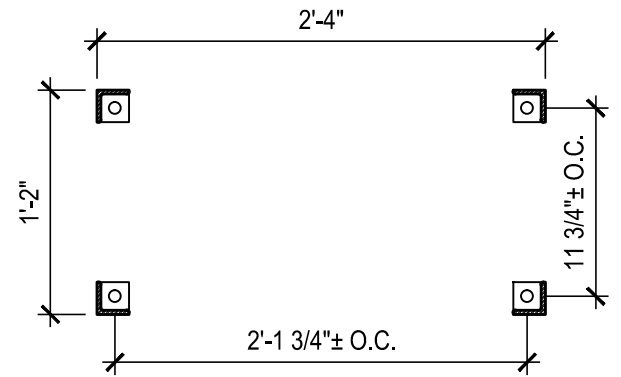
8 1/2"

2'-4"

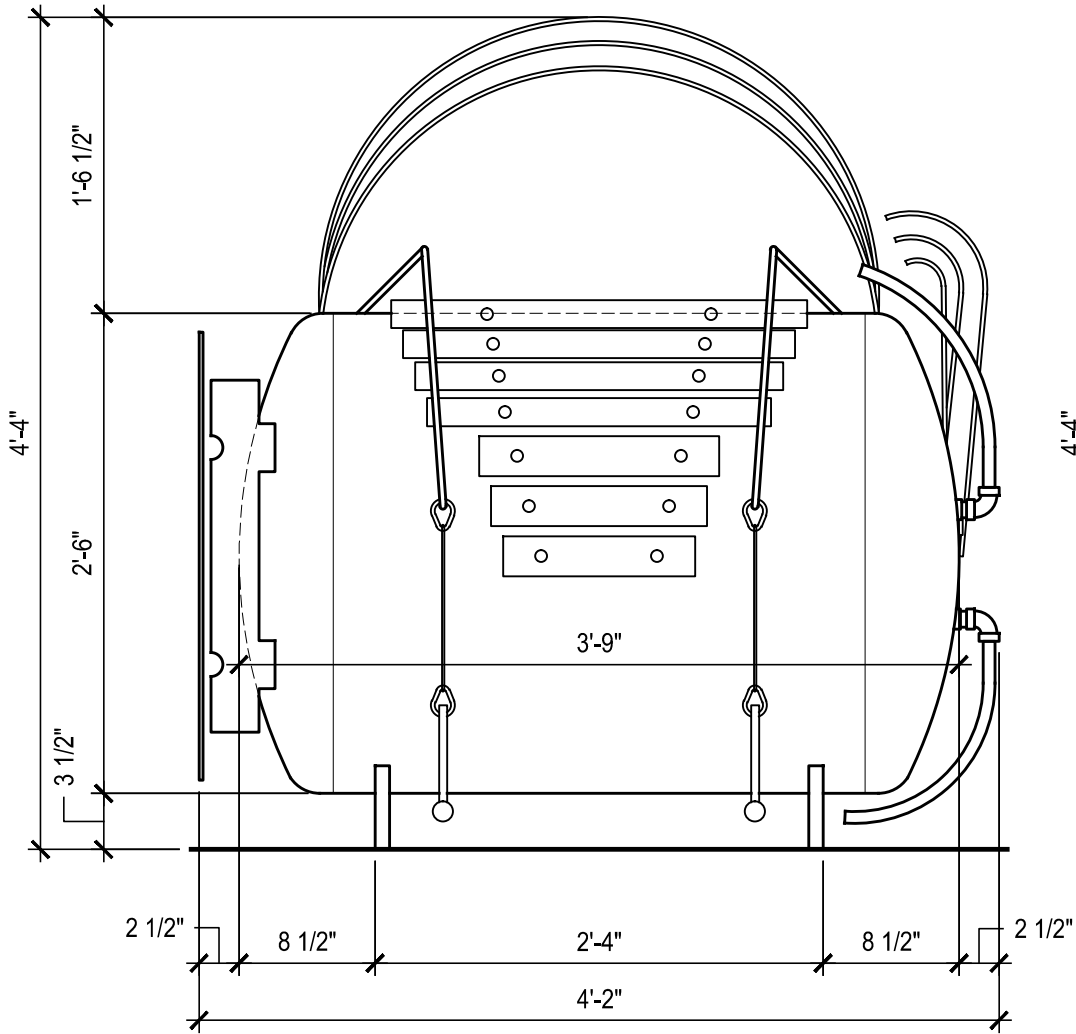
8 1/2"

FRONT
VIEW

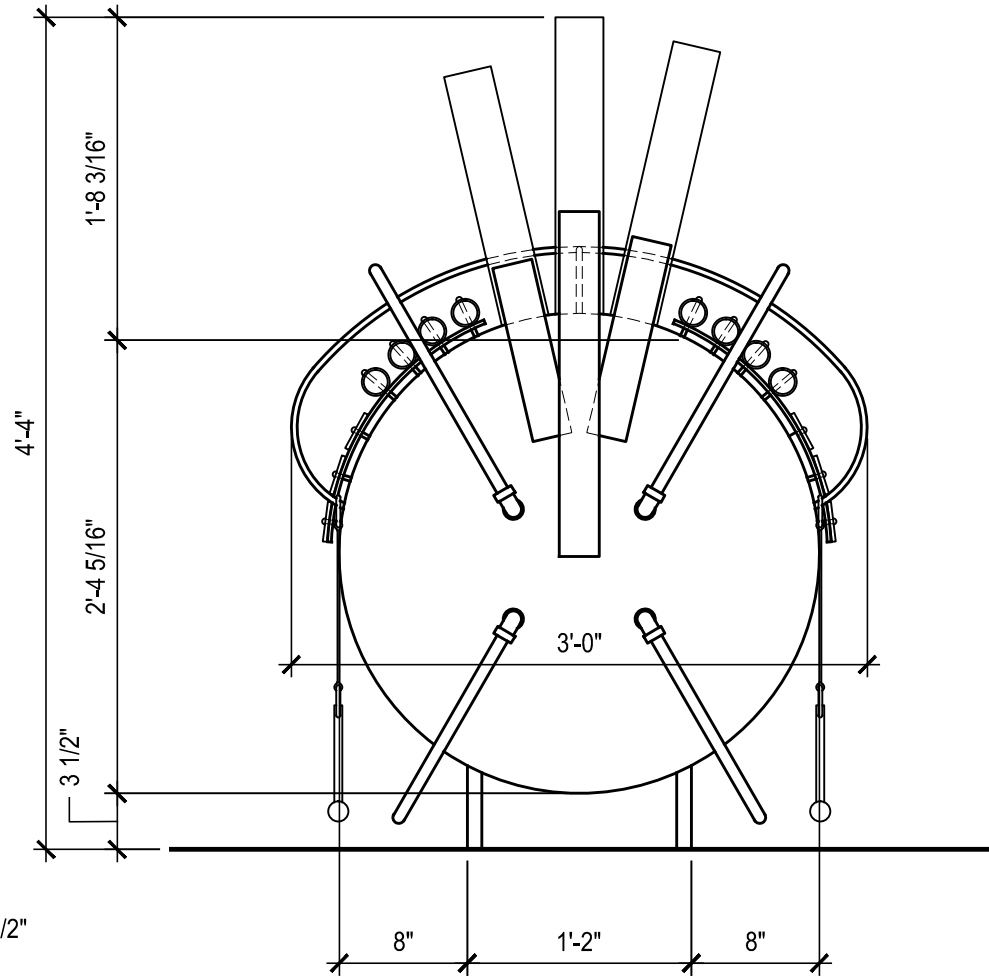
PLAN VIEW



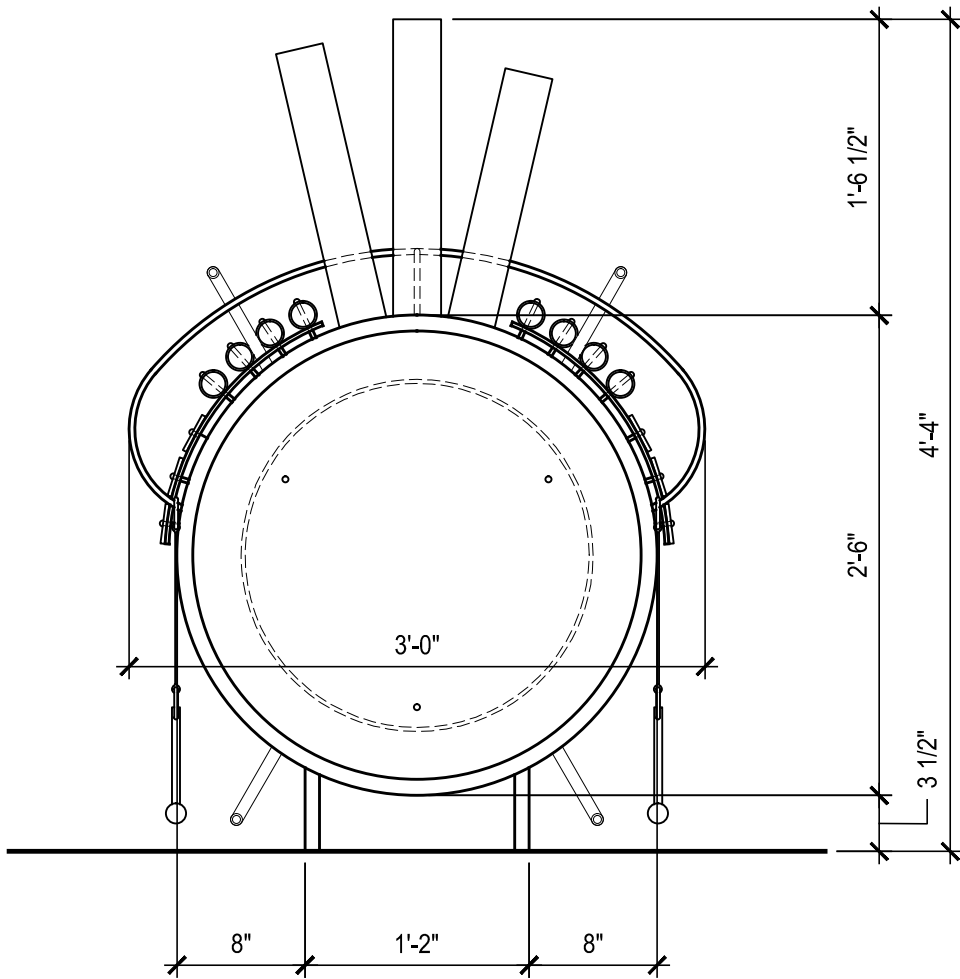
PLAN SECTION



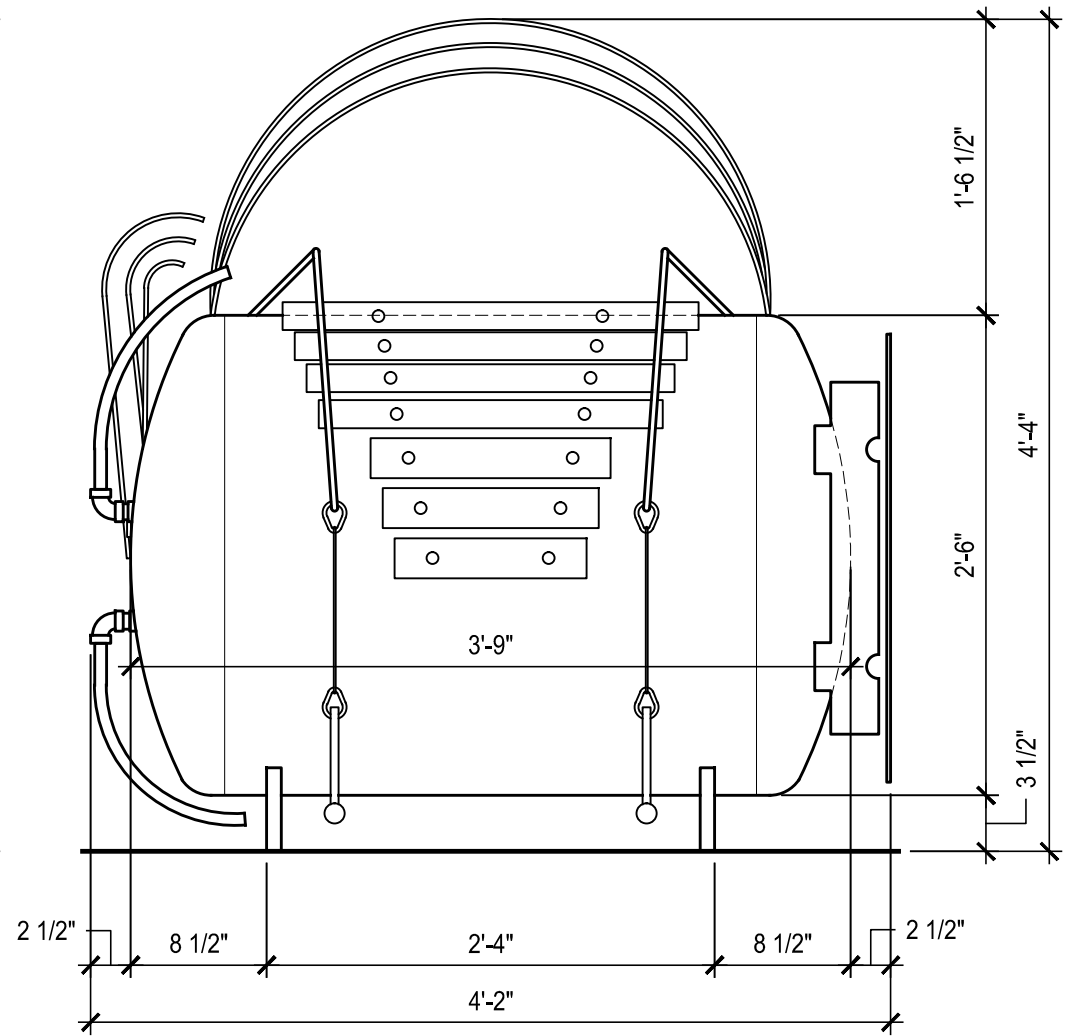
FRONT VIEW



RIGHT VIEW



LEFT VIEW



REAR VIEW